

Product Code:

CGT 12

Please specify code for stainless steel. E.g. CGT 12 (ss-316).

Description:

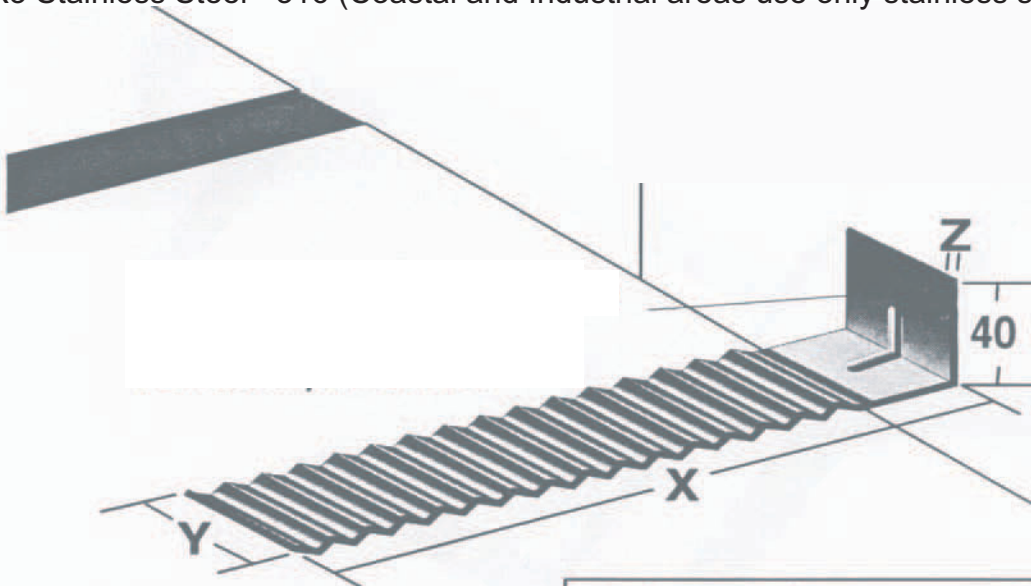
Heavy Frame Ties.

Specifications:

Corrosion Resistance

*R2 Galvanised GZ-275 / GZ 600

*R3 Stainless Steel - 316 (Coastal and Industrial areas use only stainless steel 316 brick ties.)



Code	Ymm <i>Dimension</i>	Xmm <i>Dimension</i>	Zmm <i>Material Thickness</i>
CGT12-3812	38	100	1.2
		125	
		150	
		200	
		250	
		300	
CGT12-5012	50	100	1.2
		125	
		150	
		200	
		250	
		300	
CGT12-3816	38	100	1.6
		125	
		150	
		200	
		250	
		300	
CGT12-5016	50	100	1.6
		125	
		150	
		200	
		250	
		300	
CGT12-H/D	38	100	3.0
		125	
		150	
		200	
		250	
		300	

CGT 12
Veneer Ties

***Fixing Requirements**

- SHUREDRIVE fasteners or any approved equivalent
- TAPCON masonry screws 14g or any approved equivalent
- S/Drilling treated pine screws 8g X 32mm galvanised class 3 finished
- S/Drilling hex head 8g X 12mm galvanised class 3 finished
- 30mm X 2.8mm dia galvanised connector nail

Product Code:

CGT 12

Please specify code for stainless steel. E.g. CGT 12 (ss-316).

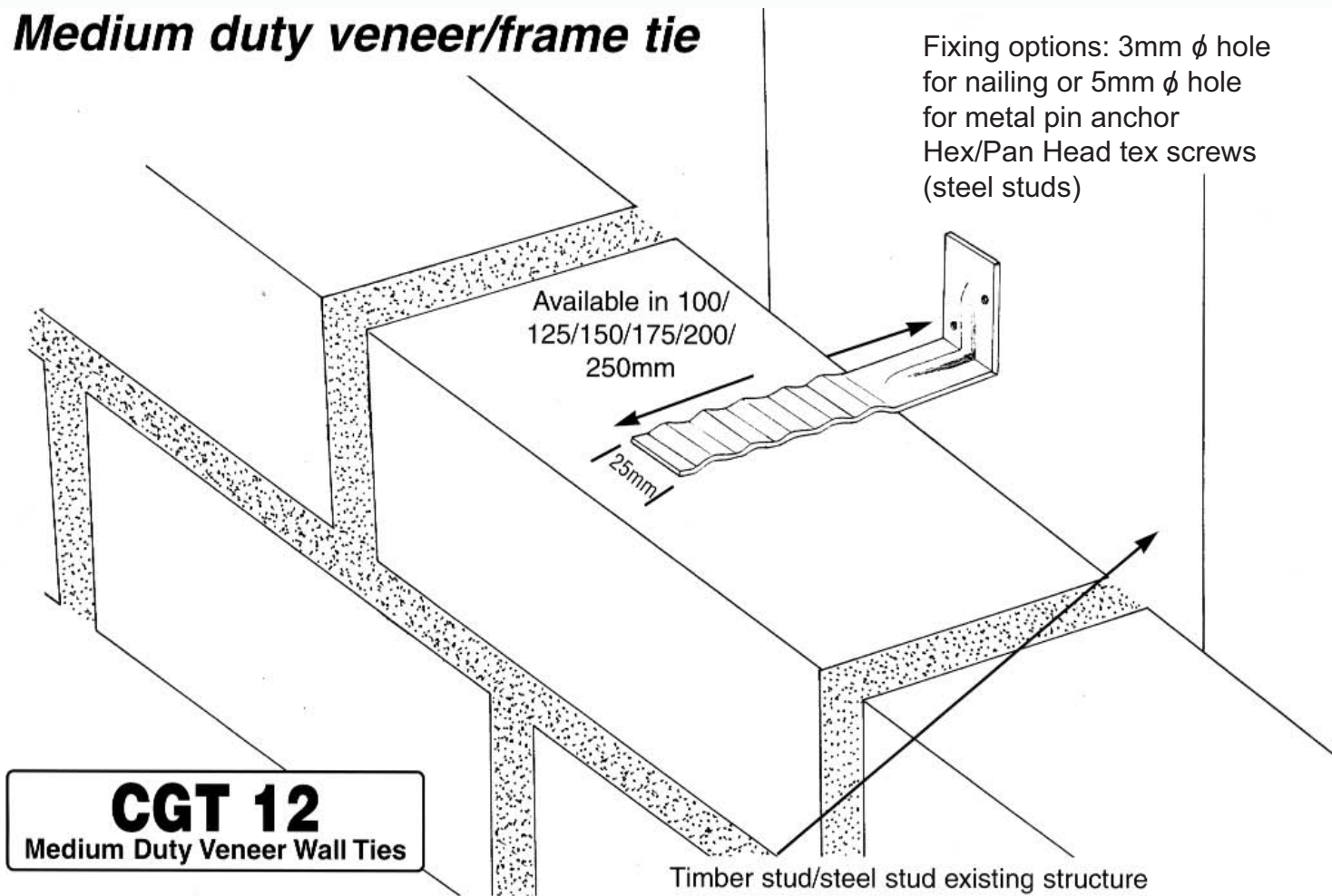
Description:

Medium Duty Veneer Wall Ties.

Specifications:**Corrosion Resistance**

*R2 Galvanised GZ-275 / GZ 600

*R3 Stainless Steel - 316 (Coastal and Industrial areas use only stainless steel 316 brick ties.)

Medium duty veneer/frame tie***Fixing Requirements**

- SHUREDRIVE fasteners or any approved equivalent
- TAPCON masonry screws 14g or any approved equivalent
- S/Drilling treated pine screws 8g X 32mm galvanised class 3 finished
- S/Drilling hex head 8g X 12mm galvanised class 3 finished
- 30mm X 2.8mm dia galvanised connector nail

Product Code:

CGT 12eco Frame Ties

Please specify code for stainless steel. E.g. CGT 12eco Frame Ties (ss-316).

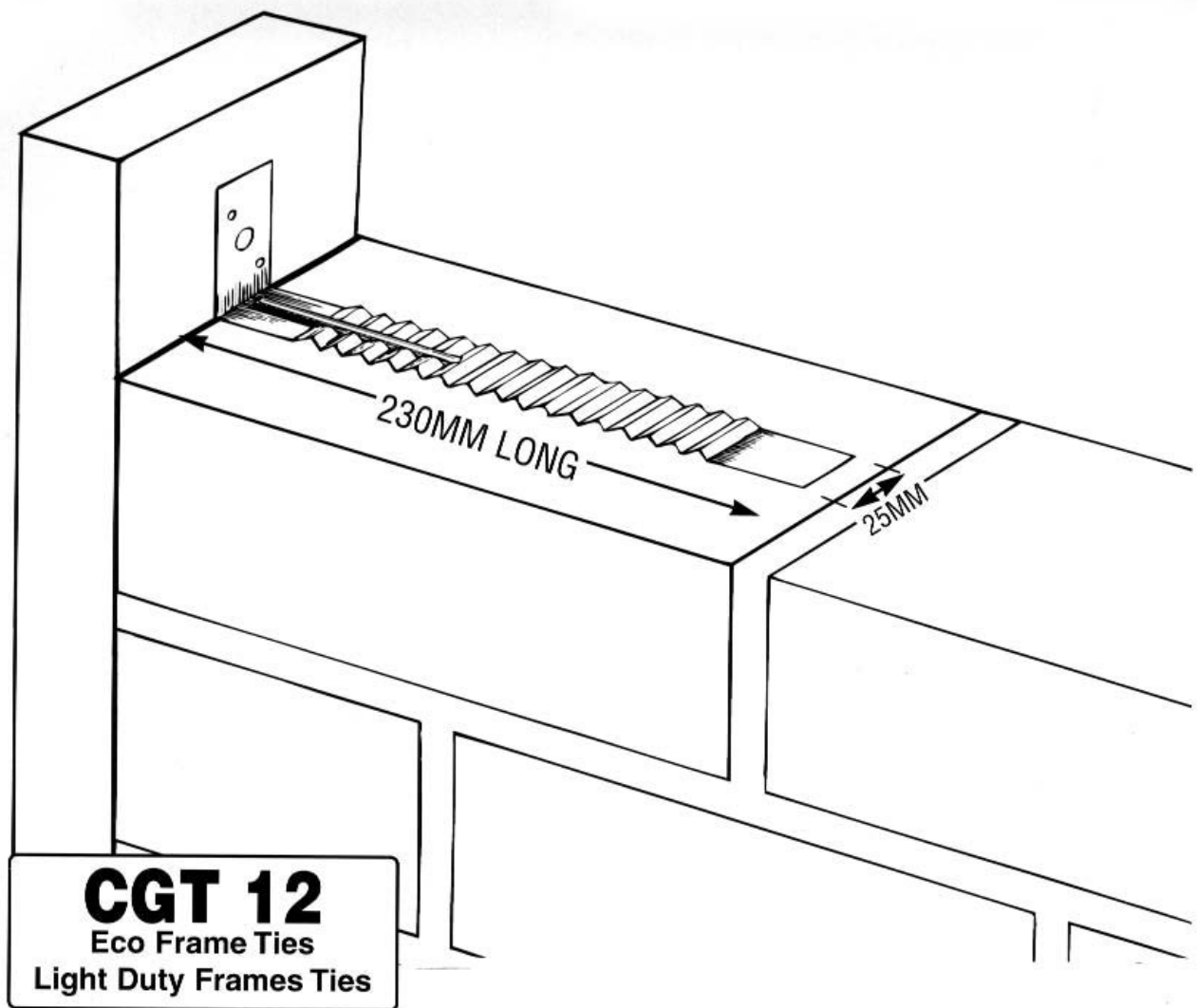
Description:

Light Duty Frame Ties.

Specifications:**Corrosion Resistance**

*R2 Galvanised GZ-275 / GZ 600

*R3 Stainless Steel - 316 (Coastal and Industrial areas use only stainless steel 316 brick ties.)

***Fixing Requirements**

- SHUREDRIVE fasteners or any approved equivalent
- TAPCON masonry screws 14g or any approved equivalent
- S/Drilling treated pine screws 8g X 32mm / 10g X 32mm galvanised class 3 finished
- S/Drilling hex head 8g X 12mm galvanised class 3 finished
- 30mm X 2.8mm dia galvanised connector nail