

Product Code:

SA 1 and SA 2

Please specify code for stainless steel. E.g. SA 1 (ss-316).

Description:

Cerra Slab Anchore Ties.

SA 1 - Bolt On Type.

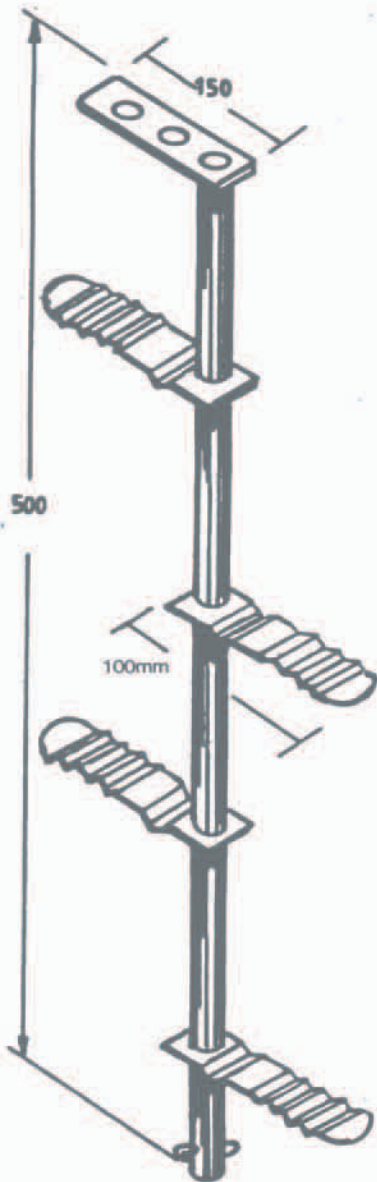
SA 2 - Cast On Type.

Specifications:

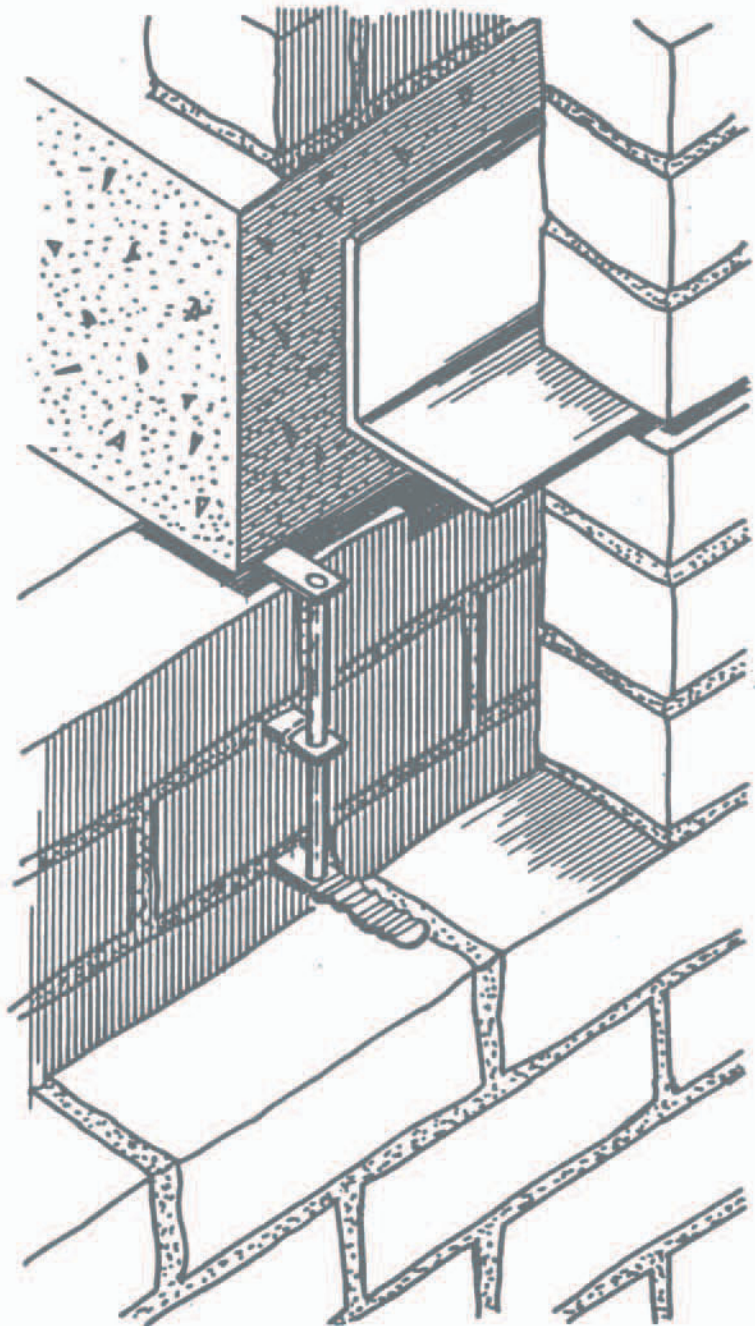
Corrosion Resistance

*R2 Galvanised Hot Dipped Galvanised

*R3 Stainless Steel - 316 (Coastal and Industrial areas use only stainless steel 316 brick ties.)



SA 1
Bolt on Type



SA 2
Cast on Type