

Product Code: CGT 11, CGT 11ss

Description:

Heavy Duty Cavity Wall Tie.

Specifications:

200mm (50mm to 90mm Cavity)

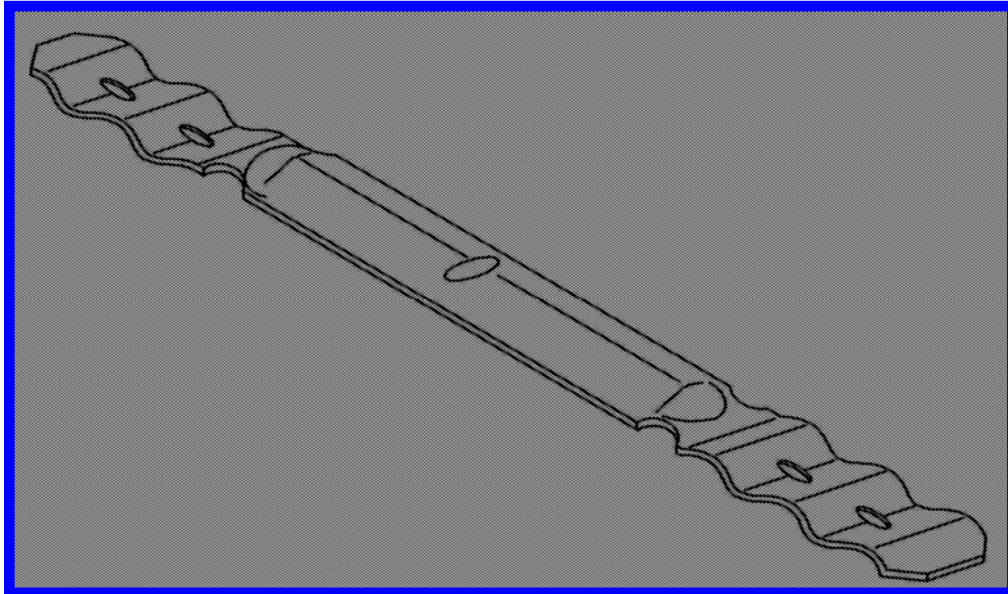
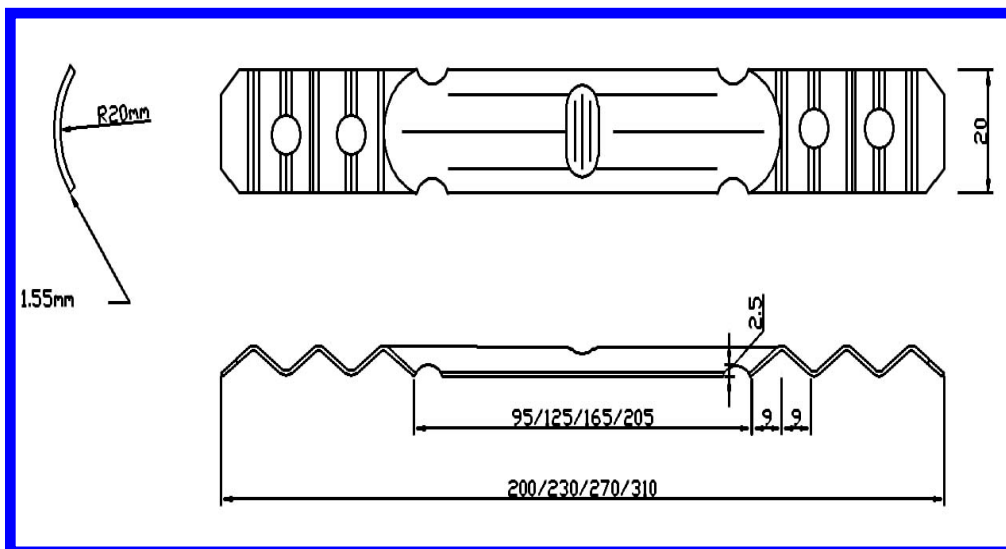
230mm (95mm to 125mm Cavity)

270mm (125mm to 165mm Cavity)

310mm (165mm to 205mm Cavity)

Galvanised Z275

Stainless Steel (R3*) T316

**Dimensions**

**Conforms to corrosion resistance of R3 for use in coastal areas to requirements set by AS2699 & AS3700.*