

Product Code:

CGT 10eco

Please specify code for stainless steel. E.g. CGT 10eco (ss-316).

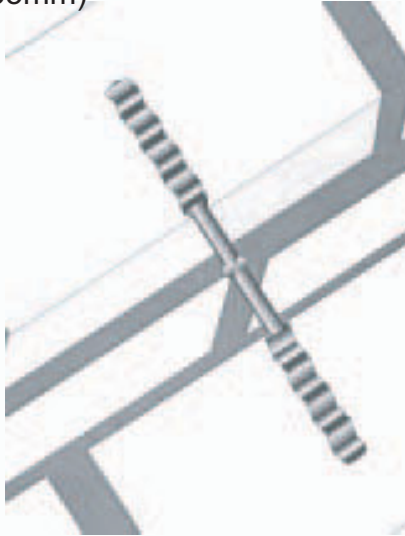
Description:

Medium Duty Cavity Wall Ties.

Specifications:**Corrosion Resistance**

*R2 GZ-275 / GZ 600

*R3 Stainless Steel - 316 (Coastal and Industrial areas use only stainless steel 316 brick ties.)
- 50mm cavity (tie length 135mm)



CGT 10eco

Medium Duty Cavity
Wall Ties

Product Code:

CGT Grip Tie

Please specify code for stainless steel. E.g. CGT (ss-316).

Description:

Grip Tie.

Specifications:**Corrosion Resistance**

*R2 Galvanised Wire GZ-275 / GZ 600

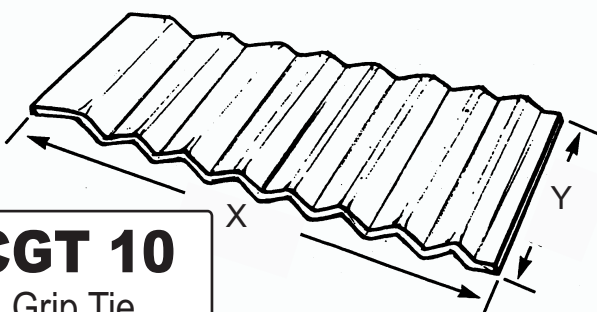
*R3 Stainless Steel - 316 (Coastal and Industrial areas use only stainless steel 316 brick ties.)

*3mm gauge available in Hot Dipped Galvanised

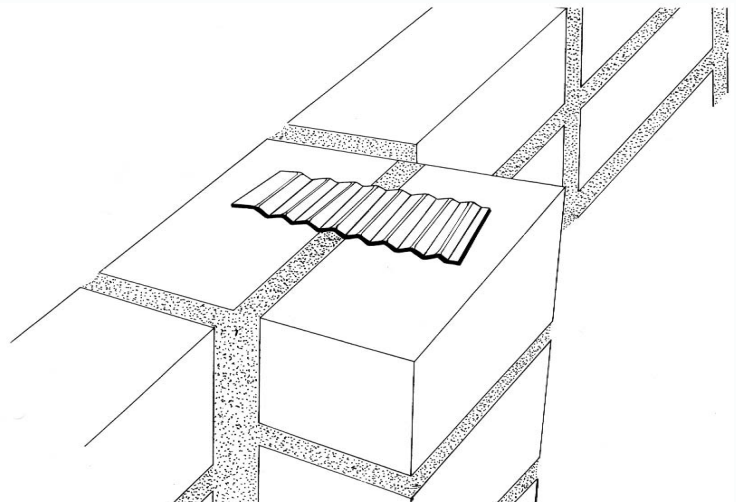
Material Gauges 1.15g / 1.55g / 3.0g

X is available in 100 / 150 / 200 / 250 up to 1000mm

Y is available in 25 / 38 / 50mm



CGT 10
Grip Tie



Product Code:

CGT 10

Please specify code for stainless steel. E.g. CGT 10 (ss-316).

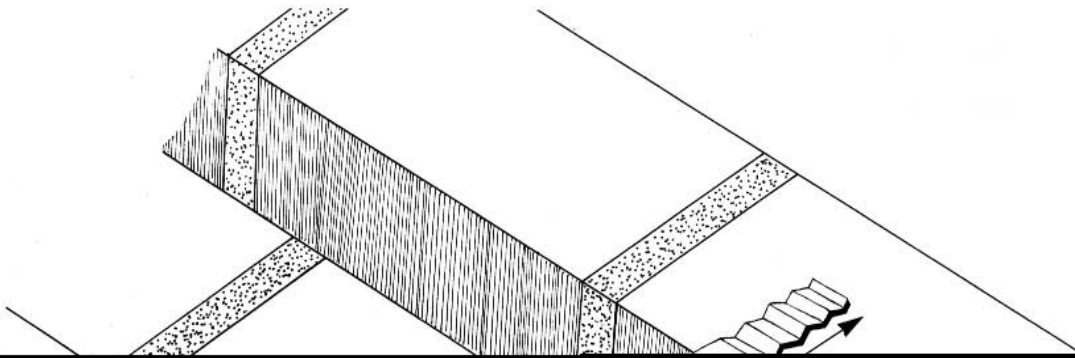
Description:

Medium Duty Cavity Wall Ties.

Specifications:**Corrosion Resistance**

*R2 Galvanised Wire GZ-275 / GZ 600

*R3 Stainless Steel - 316 (Coastal and Industrial areas use only stainless steel 316 brick ties.)



Product Code:

CGT 11

Please specify code for stainless steel. E.g. CGT 11 (ss-316).

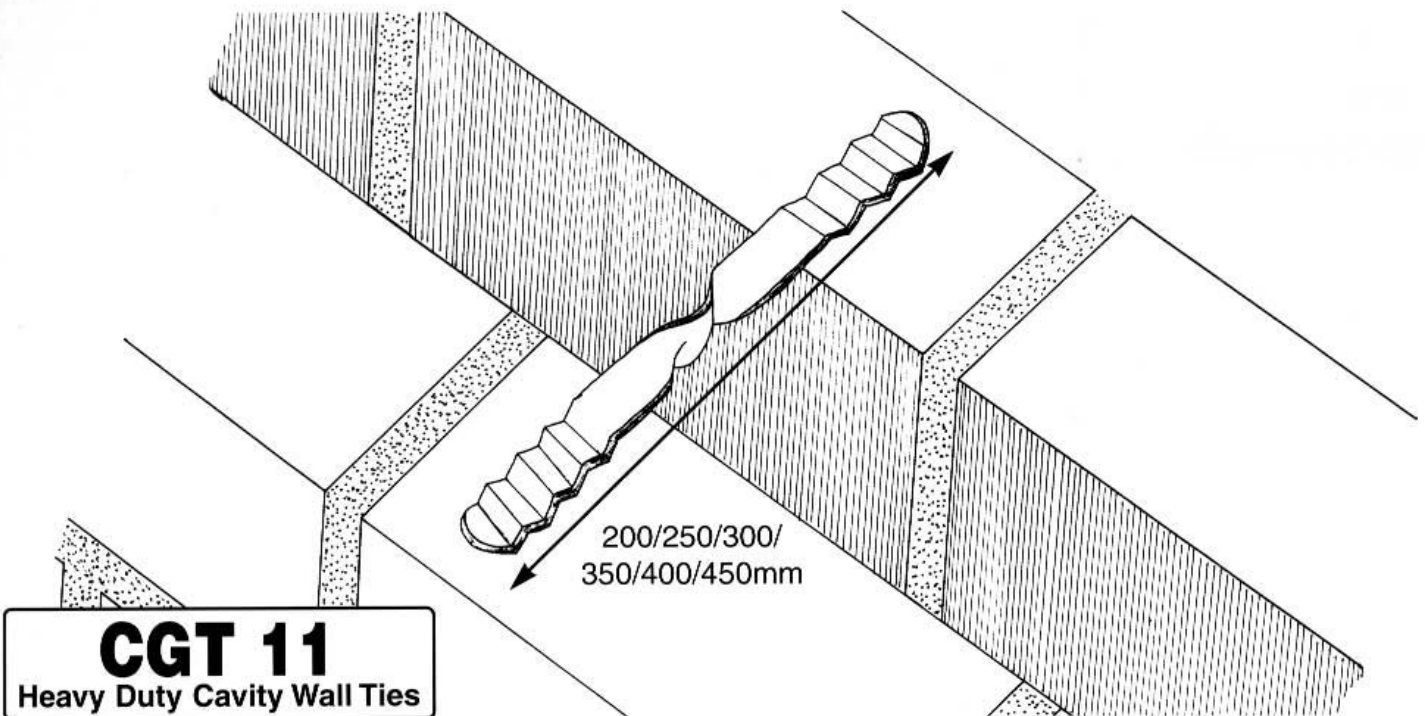
Description:

Heavy Duty Cavity Wall Ties.

Specifications:**Corrosion Resistance**

*R2 Hot Dipped Galvanised

*R3 Stainless Steel - 316 (Coastal and Industrial areas use only stainless steel 316 brick ties.)

Heavy duty cavity wall tie

*Any custom size can be manufactured.