

Product Code:

CGT 12 + nail

Please specify code for stainless steel. E.g. CGT 12 + nail (ss-316).

Description:

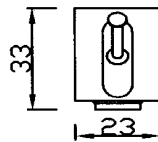
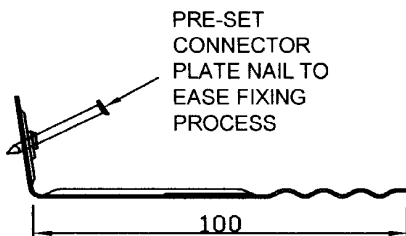
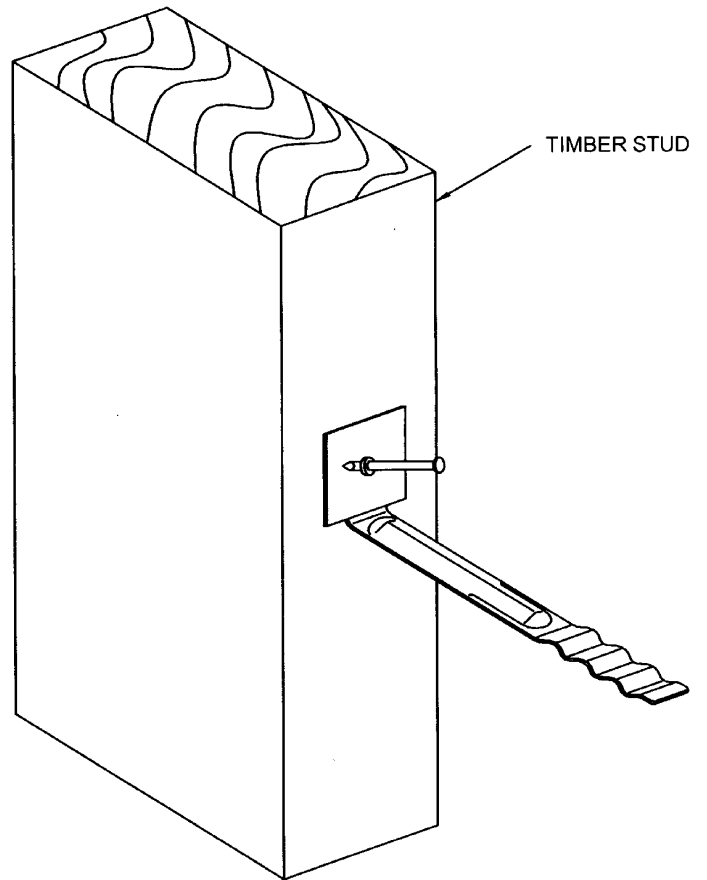
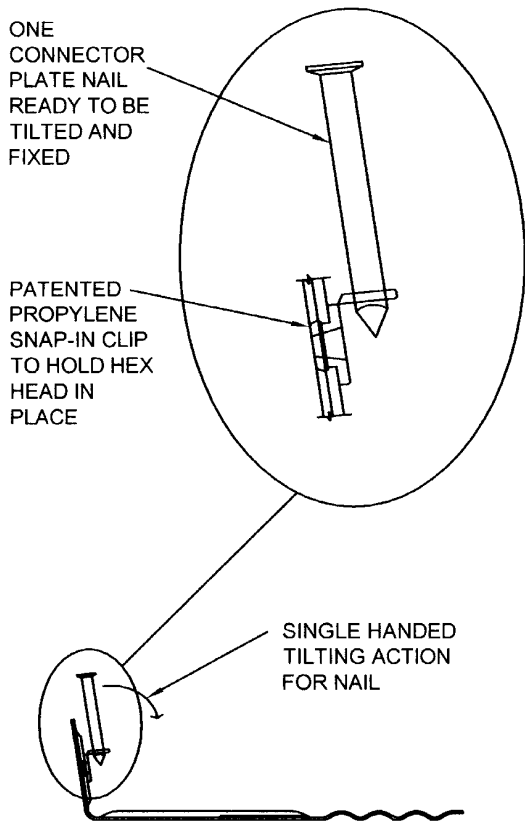
Brick venner with a pre-attached nail. Making the installation process quick, safe and much simpler.

Specifications:

Corrosion Resistance

R2 Galvanised GZ-275

R3 Stainless Steel - 316 (*Coastal and Industrial areas use only stainless steel 316 brick ties.)



CGT 12eco + nail

Brick Venner with pre-attached nail

