



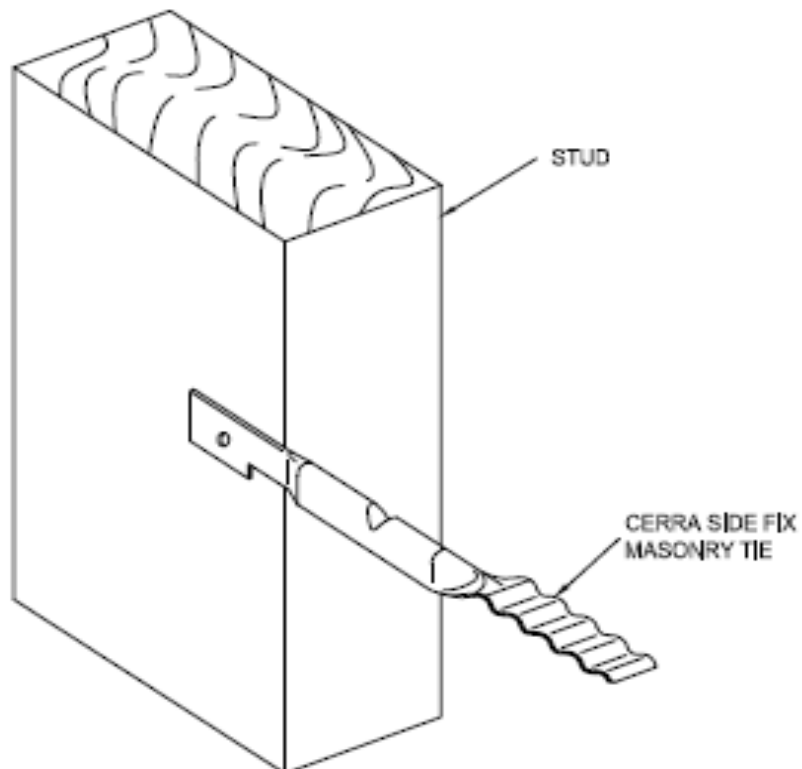
Product Code: CERRA SIDE FIX

**Description:** Cerra Side Fix Tie

**Specifications:**

Galvanised Z600

Hot Dipped Galvanised 75 Micron Coating (R3)



*\*Conforms to corrosion resistance of R3 for use in coastal Areas to requirements set by AS/NZS 2699.1(2000) / AS 3700.*